

ZIVA

OWNER'S MANUAL & ASSEMBLY INSTRUCTIONS

**INFINITY
WALL MOUNTED 125**

1	SAFETY INFORMATION AND GENERAL USER MANUAL	3-8
2	INFINITY WALL MOUNTED 125 OVERALL VIEW	9-10
3	PRODUCT COMPONENTS	11-12
4	FIXING COMPONENTS	13-15
5	ASSEMBLING TOOLS	16-18
6	ASSEMBLY INSTRUCTION	19-25
7	CONTROL AND MAINTENANCE	26-27
8	WARRANTY	28-29

1

SAFETY INFORMATION AND GENERAL USER MANUAL

SAFETY INFORMATION AND GENERAL USER MANUAL



- The purchaser of ZIVA products alone is responsible for safety: s/he must read the manual and warning labels carefully and instruct users (both end users and the staff responsible for supervising final users) on the correct use of ZIVA products.
- Please respect all warnings. If you have any doubts about one or more warnings, please ask for more info and clarifications by contacting the ZIVA CUSTOMER SERVICE via email.
- We invite all users of ZIVA products to read and follow carefully all the instructions included in this manual.
- Our equipment is classified under Class of ISO 20957-1. Therefore, it is meant for commercial and/or institutional use and/or research purposes. It is not meant for domestic use.
- To clean the walls and panels use delicate soap and, if necessary, water. In alternative, you can use a non-abrasive cleaner with a soft cotton cloth to clean all exterior surfaces: put the cleaner on the cloth before cleaning. Attention: do not use abrasive products, ammonia or acid-based cleaners.
- It is recommended to use all ZIVA equipment in a monitored area or in an area whose access is monitored. The owner is responsible for the monitoring.
- Before it is used, all ZIVA equipment must be assembled and anchored to the floor. This has to be done by an assembler authorized by ZIVA: you should therefore ask the assembler to provide the installation certificate authorized by ZIVA.
- Using the equipment in any other manner than the one it is meant for is forbidden. Use the equipment correctly to avoid injuries: improper and excessive exercise can cause injuries. Before starting a training program, we recommend to complete a medical examination.
- Stop the training and consult your doctor if you feel weakness, dizziness or pain during training.

Attention: ZIVA shall not be held liable for installations made by installers/assemblers who are not authorized by ZIVA.
In case of any doubts, do not hesitate to contact the ZIVA CUSTOMER SERVICE.

SAFETY INFORMATION AND GENERAL USER MANUAL



1 INSTRUCTION

USE THE EQUIPMENT ONLY AS INDICATED IN THE INSTRUCTIONS AND ONLY FOR THE EXERCISES IT IS MEANT FOR.

2 EQUIPMENT

- DO NOT ALTER OR MODIFY THE EQUIPMENT.
- ENSURE THAT THE EQUIPMENTS ARE CORRECTLY PLACED AT A DUE DISTANCE ONE ANOTHER AND THAT THERE IS ENOUGH ROOM TO EXERCISE.
- IF NECESSARY, REPLACE THE NECESSARY COMPONENTS AND MAKE SURE THAT THE EQUIPMENT IS APPROPRIATELY KEPT.

3 AUDIT

CHECK THE EQUIPMENT DAILY BEFORE USE.
DO NOT USE THE EQUIPMENT IF IT IS DAMAGED.

4 MEDICAL CONTROL

BEFORE STARTING A TRAINING PROGRAM, COMPLETE A MEDICAL EXAMINATION.

5 KIDS

TO USE THE EQUIPMENT USERS HAVE TO BE AGED 14 AND ABOVE: CHILDREN CANNOT USE IT.

6 WEARING

- WEAR APPROPRIATE SPORT FOOTWEAR AND CLOTHING WHEN USING THE EQUIPMENT. DO NOT WEAR HELMETS OR OTHER ACCESSORIES.
- KEEP BODY, HAIR AND CLOTHES AT SAFETY DISTANCE FROM THE MOBILE PARTS OF THE EQUIPMENT TO AVOID INJURIES.

SAFETY INFORMATION AND GENERAL USER MANUAL



7 CLIMBING

DO NOT CLIMB UP THE EQUIPMENT: THIS MAY CAUSE SERIOUS INJURY OR DEATH.

8 INSTALLATION

- IF THE EQUIPMENT IS INSTALLED ON HARD SURFACES (E.G. ASPHALT, CONCRETE OR CLAY COURT), SERIOUS INJURY OR DEATH CAN OCCUR IN CASE OF FALLING OFF.
- THE EQUIPMENT HAS TO BE INSTALLED ON A STABLE AND APPROPRIATELY LEVELED BASE.
- THE RESPONSIBILITY FOR ASSESSING THE NECESSARY LOADS FOR INSTALLATION (LOADING CARRY CAPACITY OF CEILINGS, FLOORS, ETC.) LIES ON THE PURCHASER ALONE
- THIS ASSESSMENT HAS TO BE CARRIED OUT BY THE PURCHASER RESORTING TO TECHNICIANS OF HIS/HER CHOICE.

9 LABEL

- PLEASE DO NOT REMOVE THE LABEL: A DAMAGED LABEL HAS TO BE REPLACED.
- TO IDENTIFY THE PRODUCER AND TO WARN AGAINST INJURIES, ALL EQUIPMENTS MUST DISPLAY THEIR LABEL.
- ENSURE THAT ALL LABELS ARE PLACED AND EASILY READABLE: IF NECESSARY, REPLACE THEM IMMEDIATELY.

10 CUSTOMER CARE

IF YOU HAVE ANY QUESTIONS AND/OR DOUBTS, PLEASE CONTACT THE ZIVA CUSTOMER SERVICE.



11 CHECK

- BEFORE USE CHECK IF ANY ELEMENT IS LOOSENED, WORN, OR DAMAGED.
- CHECK WELDED JOINTS FOR POSSIBLE WEAR.
- ENSURE THAT THERE ARE NO PROTRUDING BOLTS, SCREWS, EDGES, NUTS, ETC.
- ENSURE THAT ALL CAPS ARE PLACED: ANY MISSING CAP HAS TO BE REPLACED.

12 STABILITY

CHECK STABILITY: THE STANDING STRUCTURE HAS TO BE STABLE.

13 CORROSION

CHECK CORROSION: ALUMINIUM AND STEEL PARTS MUST NOT SHOW ANY SIGNS OF CORROSION.

14 LEVELING

CHECK LEVELING: THE EQUIPMENT DOES NOT HAVE TO SHOW SIGNS OF LOWERING AND/OR INCLINING.

15 ALIGNING

CHECK ALIGNMENT: SUPPORTING PARTS, PLATFORM, BEAM, STAIRS AND SLIDING ELEMENTS HAVE TO BE ALIGNED.

16 DETERIORATION

CHECK DETERIORATION: THERE HAVE TO BE NO HOLES OR DETERIORATIONS OF ANY KIND.

SAFETY INFORMATION AND GENERAL USER MANUAL



17 CAUTION

- TO AVOID INJURIES, EXAMINE IF THERE ARE ANY PROTRUDING PARTS OR SHARP EDGES THAT COULD GET CAUGHT ONTO CLOTHING OR OTHER OBJECTS.
- ENSURE THERE ARE NO DAMAGES AT THE PAINTING.

18 SUPPORTS

CHECK IF THE SUPPORTS CAN SUPPORT APPROPRIATELY.

19 CLEANING

THE SURFACES CAN BE CLEANED USING NEUTRAL SOAP.

20 DAMAGE

MAKE SURE THERE ARE NO CRACKS, CUTS, EXCESSIVE WEAR OR SIMILAR DAMAGES.

21 COMPONENTS

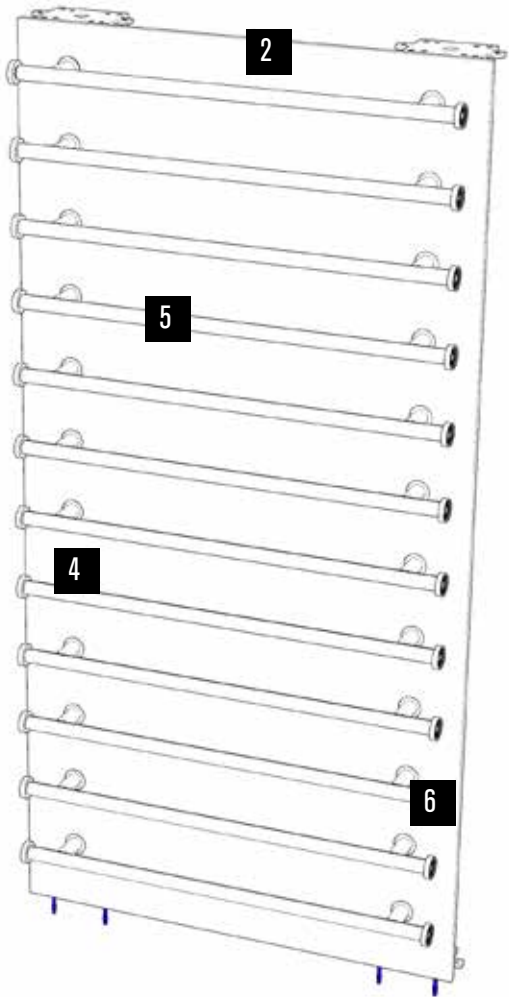
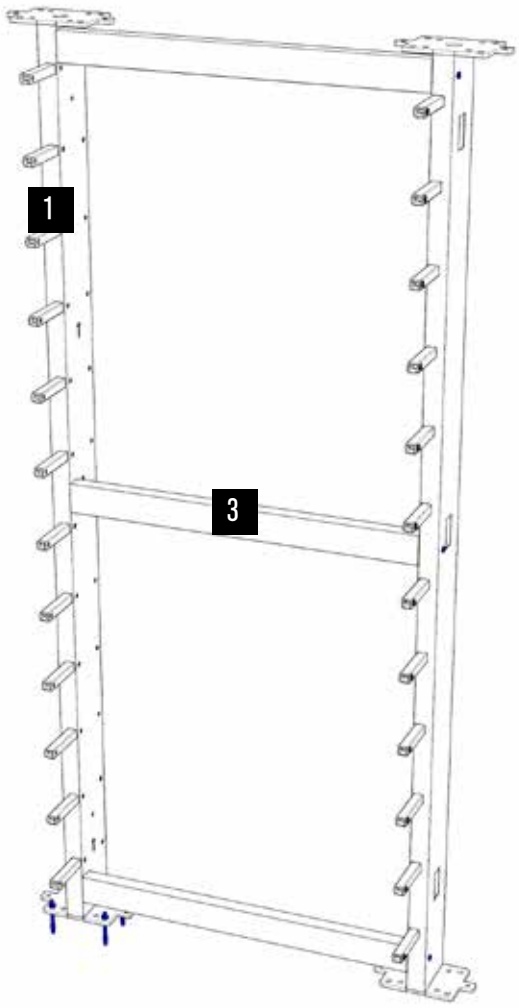
CHECK IF ALL COMPONENTS ARE INSTALLED AT THE ENVISAGED HEIGHT (FOR MORE DETAILED INFORMATION SEE THE INSTALLATION INSTRUCTIONS).

Many potential accidents can be avoided by carrying out regular audits. The primary safety measure to take once the equipment has been installed is to appoint a member of the staff to the process of inspection and control of the equipment. The first step of this inspection and control process is the full revision of all necessary measures: this manual therefore contains a reporting sheet with a time table to carry out the necessary audit measures.

2

INFINITY
WALL MOUNTED 125

INFINITY WALL MOUNTED 125



1 COLUMN

2 WOODEN PANEL

3 COLUMN CONNECTION

4 PLASTIC SPACER

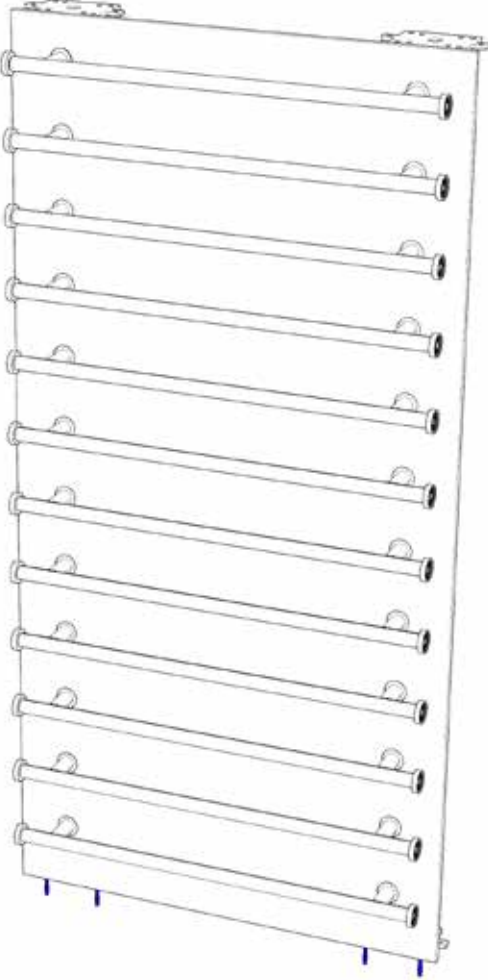
5 PEG

6 PLASTIC CAP

3

PRODUCT COMPONENTS

INFINITY WALL MOUNTED 125



DESCRIPTION	QTY	DESCRIPTION	QTY
WALL MOUNTED COLUMN 2500mm	2	PLASTIC SPACER FOR WALL BAR	24
COLUMN CONNECTION	3	PLASTIC CAP KIT FOR PEG	24
WOODEN PANEL	1	CIRCULAR DECAL 49 mm	24
PEG FOR WALL BAR	12	ASSEMBLY KIT	1
		GROUND FIXING KIT	1

4

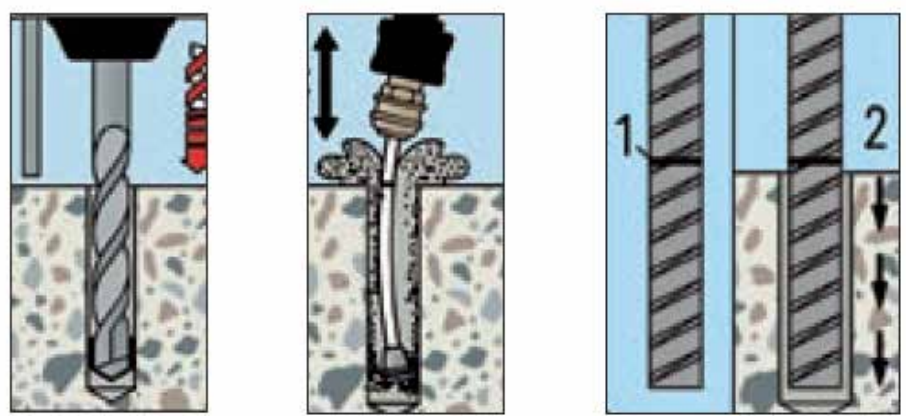
FIXING COMPONENTS

FIXING COMPONENTS

FLOOR FIXING
EXPANSION ANCHOR



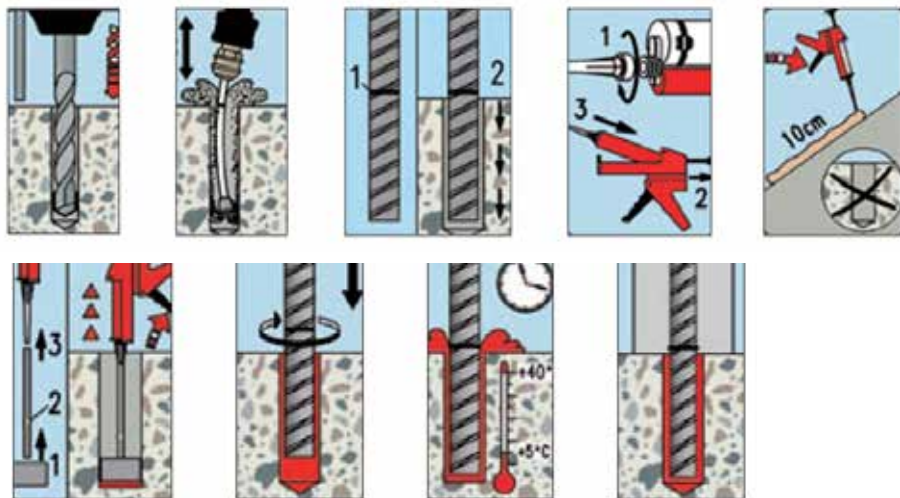
W-FA/S W-FA/F W-FA/A4 W-FA/HCR



		ANCHOR SIZE					
		M6	M8	M10	M12	M16	M20
TENSILE STRENGTH N _{max} (kN)	W-FA/S	0,90	1,40	2,20	3,20	6,00	10,0
	W-FA/F	0,50	0,80	1,20	1,80	3,40	5,25
		0,30	0,50	0,80	1,20	2,20	3,60
		0,25	0,40	0,60	0,90	1,70	2,75
	W-FA/A4	0,90	2,30	3,60	5,20	9,70	15,0
		0,50	1,70	2,60	3,80	7,00	10,2
		0,30	1,40	2,20	3,20	6,00	8,20
		0,25	1,30	2,00	2,90	5,40	7,00
	W-FA/HCR	0,90	2,30	3,60	5,20	9,70	15,0
		0,50	1,70	2,60	3,80	7,00	10,2
		0,30	1,40	2,20	3,20	6,00	8,20
		0,25	1,30	2,00	2,90	5,40	7,00

FIXING COMPONENTS

FLOOR FIXING
CHEMICAL ANCHORS



HARDENING AND APPLICATION TIME		
RESIN TEMP	APPLICATION TIME	HARDENING TIME
+5°C	20	6
+10°C	15	5
+20°C	7	3
+25°C	5	2
+30°C	3	1

UNIVERSAL CHEMICAL ANCHOR

APPLICATION AREAS:

- Heavy anchors in full supports
- Universal use: one anchor for all types of support
- High resistance to atmospheric agents
- High resistance to high temperatures



WARNING:

ENSURE THAT THE FLOOR:

- IS ABLE TO SUPPORT THE MAXIMUM WEIGHT OF THE STRUCTURE.
- IS COMPATIBLE WITH THE RECOMMENDED ANCHORAGES.
- IS COMPATIBLE WITH THE FASTENING OF THE STRUCTURE.

CHECK THE HEIGHT OF THE ROOM AND ANY CONSTRUCTIVE OBSTACLES.

5

ASSEMBLING TOOLS

ASSEMBLING TOOLS

BETA 920/50
RATCHET ½"
cod.009200871



BETA 720/21
EXTENSION 125mm ½"
cod.007200822



BETA 42
KEY COMBINED 19mm
cod.000420019



BETA 42
KEY COMBINED 13mm
cod.000420013



BETA 720
KEY COMBINED ½" 22mm
cod.007200022



BETA 720
KEY COMBINED ½" 17mm
cod.007200017



BETA 720ME
HEX KEY ½" M.10
cod.007200510



BETA 720ME
HEX KEY ½" M.6
cod.007200506



BETA 720/25
WRENCH ½"
cod.007200831



BETA 1203/D8P
SET
SCREWDRIVER



BETA 920/22
EXTENSION 250mm ½"
cod.009200826



BETA 42
KEY COMBINED 22mm
cod.000420022



BETA 42
KEY COMBINED 17mm
cod.000420017



BETA 720
KEY COMBINED ½" 19mm
cod.007200019



BETA 720
KEY COMBINED ½" 13mm
cod.007200013



BETA 720ME
HEX KEY ½" M.8
cod.007200508



BETA 96BPC/SC9
SET
HEX KEY



ARIEX DIAM.42
HAMMER
RUBBER



MAURER MAGNETIC
LEVEL
50cm



STANLEY TYLON
FLEX-YARDSTICK
5MT



ASSEMBLING TOOLS

1-10-280 MM.18
CUTTER
STANLEY



COBRA MM.250
TONGS
KNIPEX



M18 CHX-0X
CORDLESS ROTARY
MILWAUKEE



STANLEY
STRIPER



M18 FIW P 12 -0X
ELETRIC SCREWDRIVER
MILWAUKEE



GENIE LIFT
SLA 10
GENIE



6

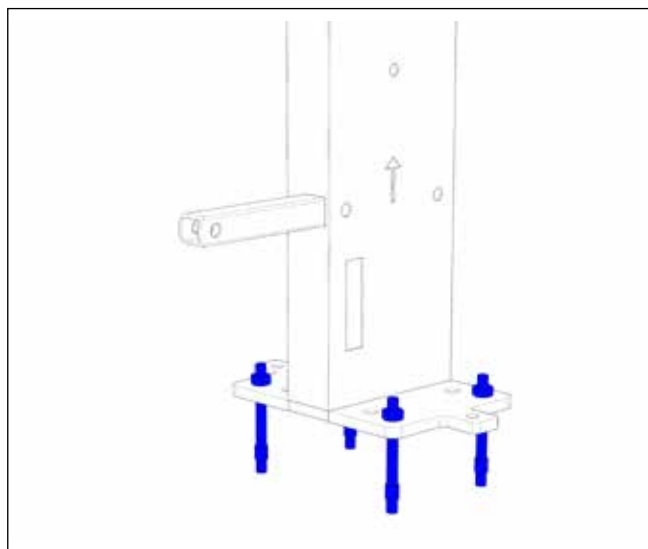
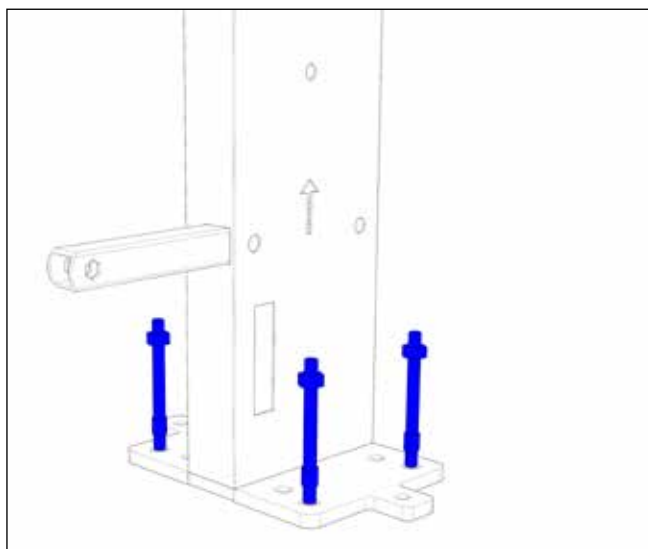
ASSEMBLY INSTRUCTION

ASSEMBLY

INSTRUCTION

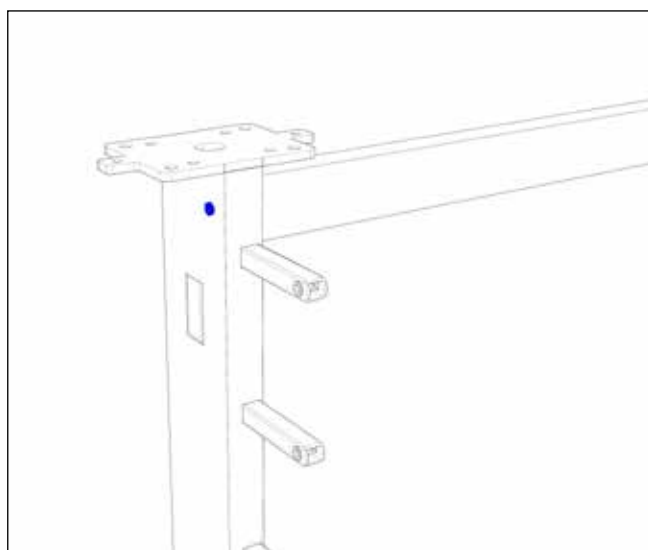
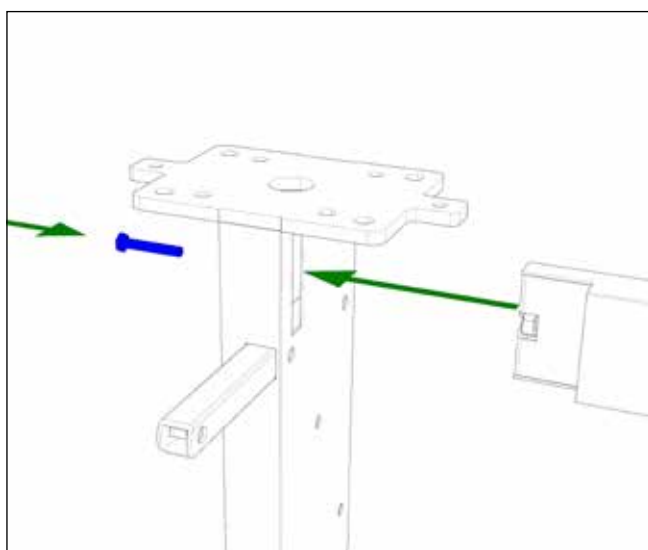
STEP 1

PLACE THE COLUMN AT A DISTANCE OF 70mm FROM THE WALL (DISTANCE FROM THE REAR OF THE COLUMN AND WALL), MAKE THE HOLES ON THE GROUND AND FIX THE FIRST COLUMN WITH STANDARD OR CHEMICAL ANCHORS PROVIDED



STEP 2

INSERT THE COLUMN CONNECTION ON THE CORRESPONDING HOLE AND FIX IT WITH THE SUPPLIED SCREW

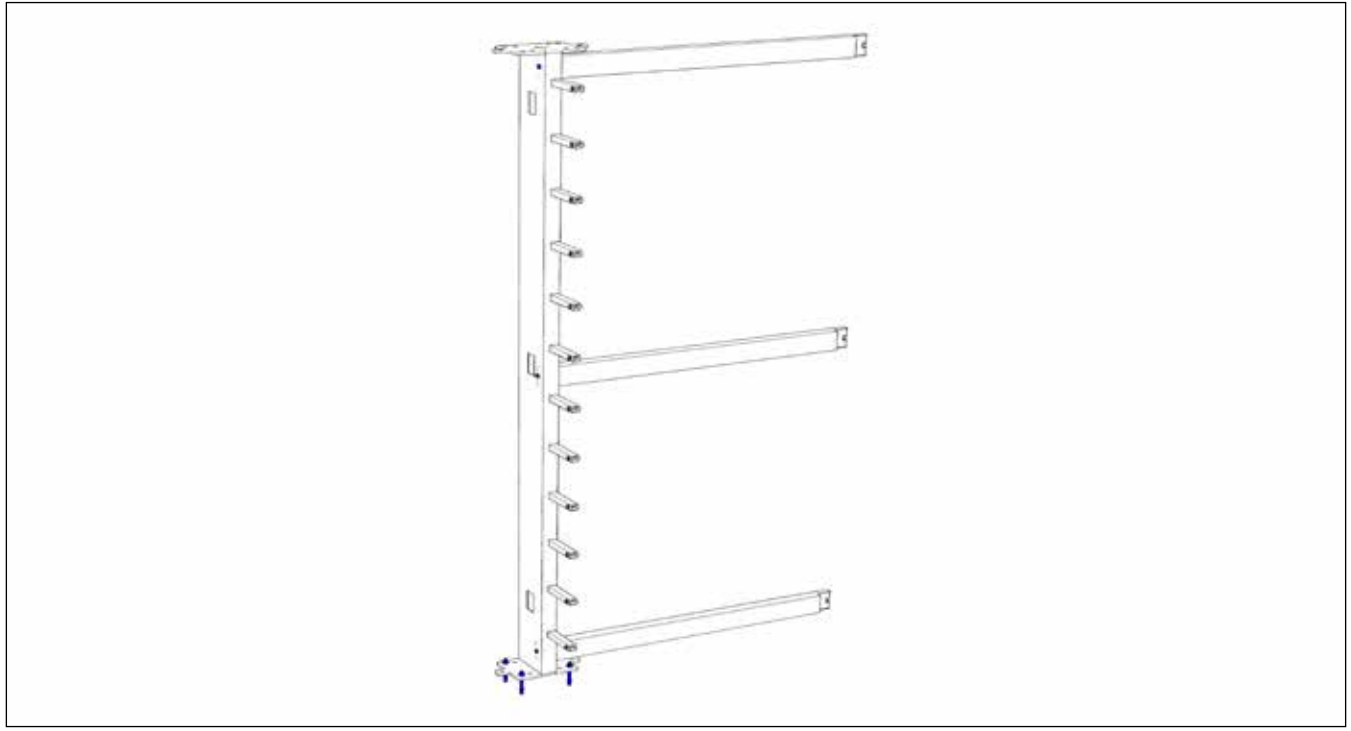


ASSEMBLY

INSTRUCTION

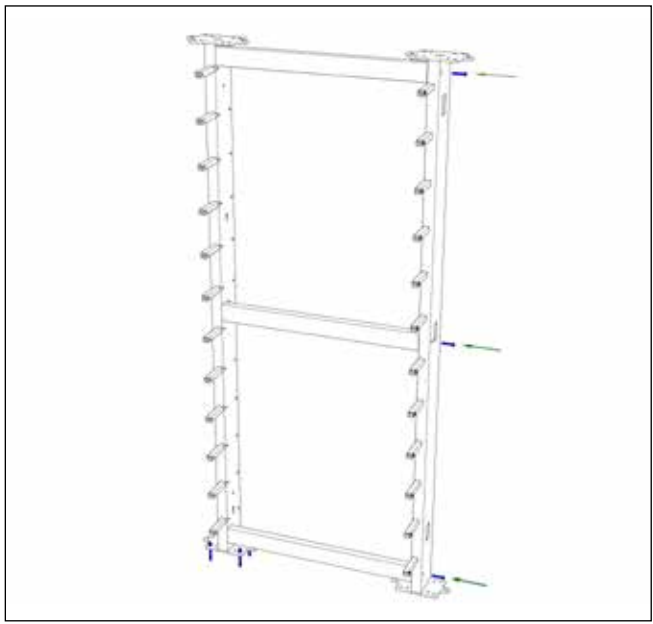
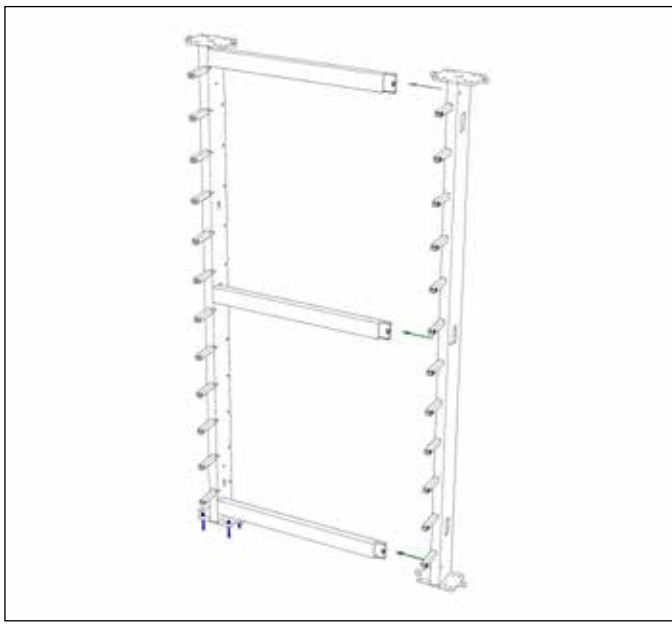
STEP 3

FIX THE TWO REMAINING CONNECTION REPEATING THE STEP 2



STEP 4

INSERT THE OPPOSITE COLUMN WITH THE HOLES TOWARD THE CONNECTIONS AND FIX THE SUPPLIED SCREWS

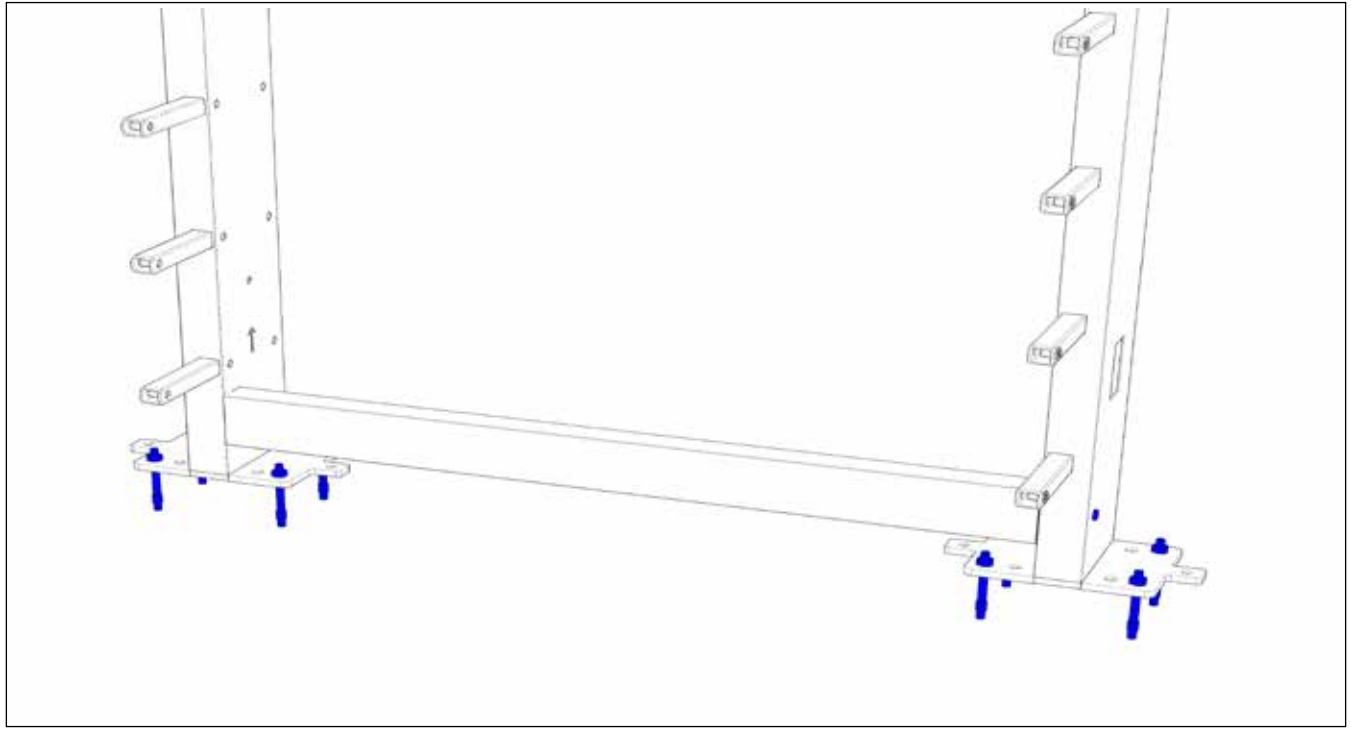


ASSEMBLY

INSTRUCTION

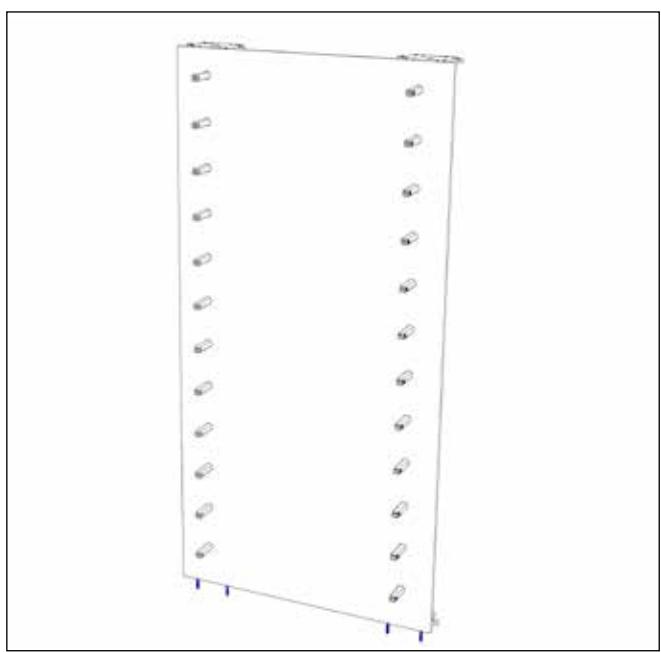
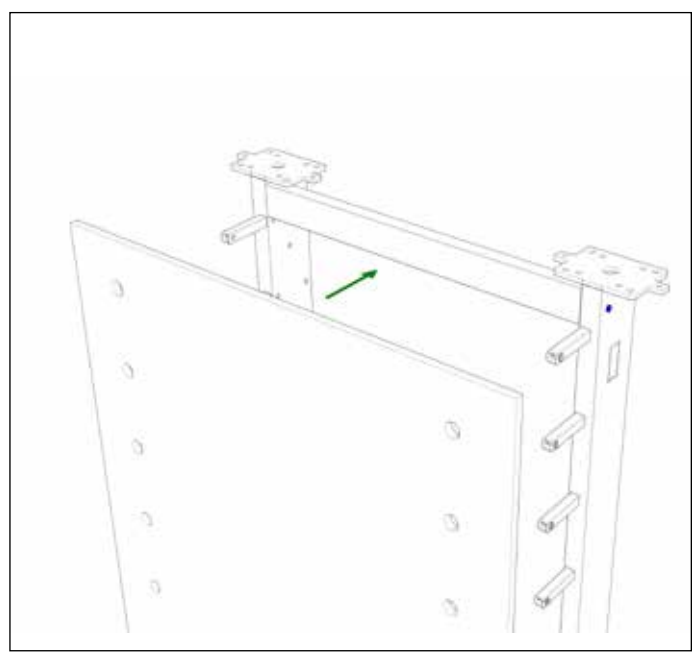
STEP 5

FIX THE SECOND COLUMN WITH CHEMICAL ANCHORS AND TIGHT THE SCREWS



STEP 6

INSERT THE WOODEN PANEL UNTIL THE COLUMNS

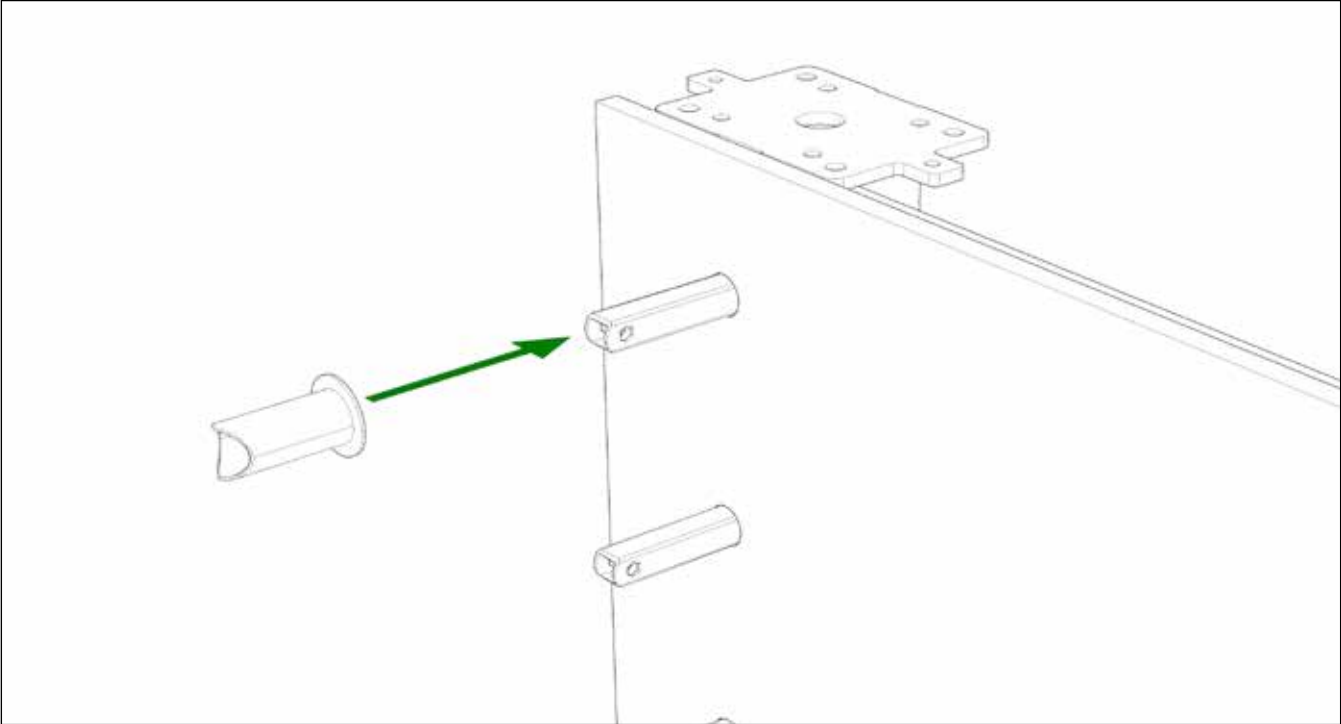


ASSEMBLY

INSTRUCTION

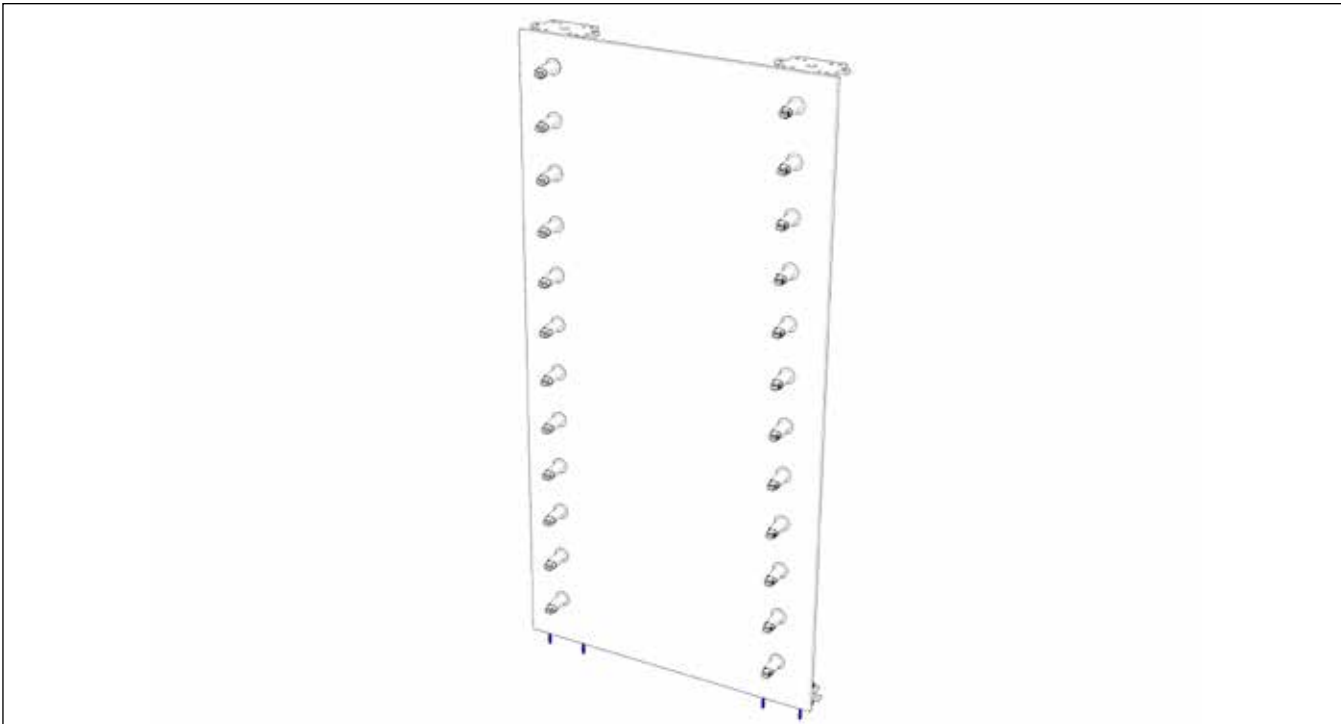
STEP 7

INSERT THE PLASTIC SPACER ON THE PEG SUPPORT



STEP 8

INSERT ALL THE PLASTIC SPACERS ON THE PEGS SUPPORTS

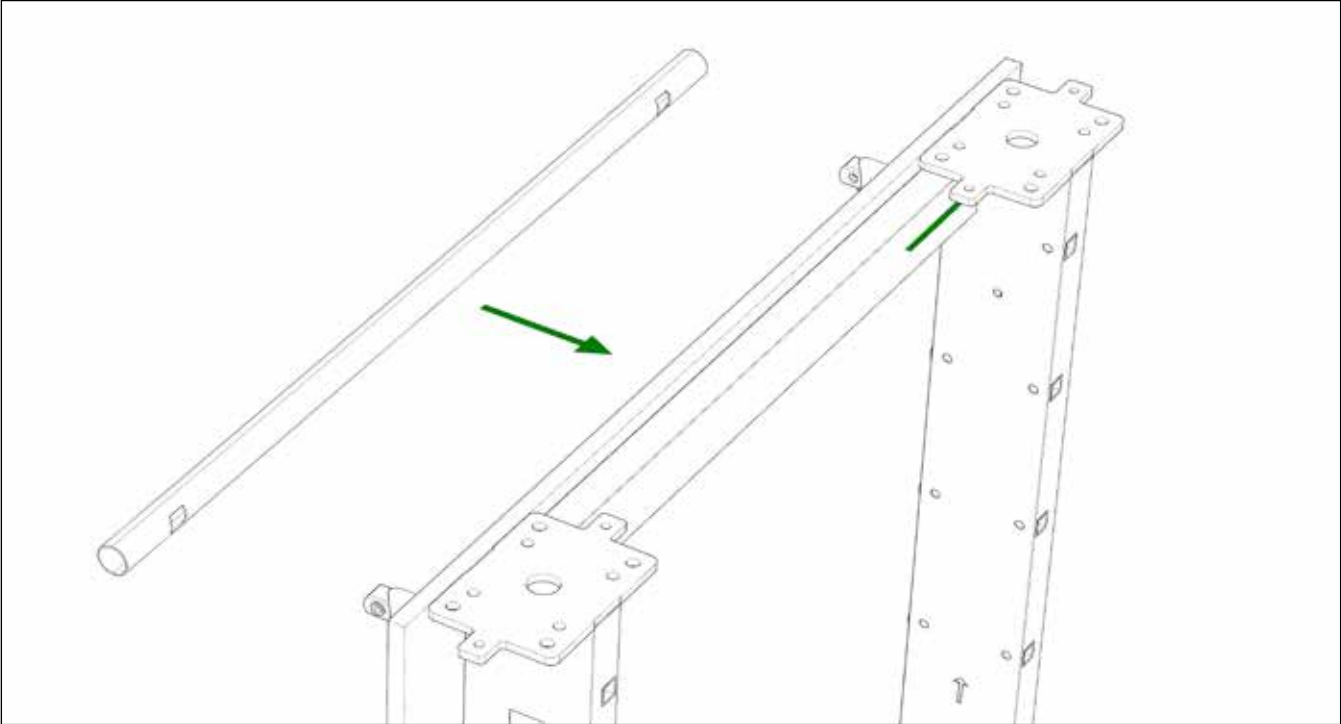


ASSEMBLY

INSTRUCTION

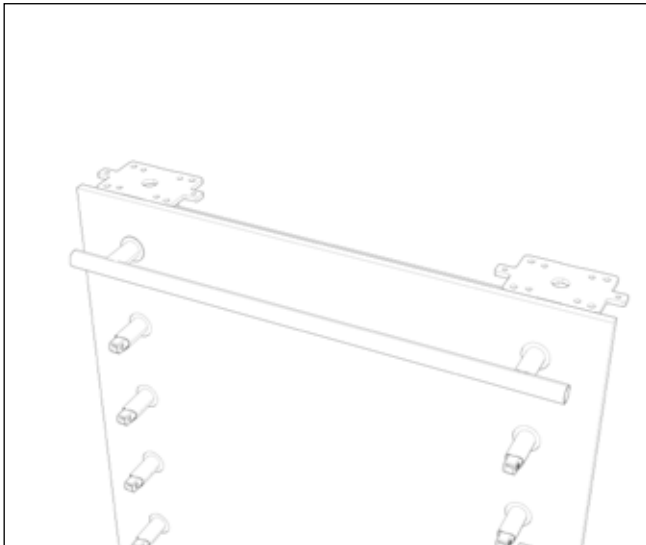
STEP 9

INSERT THE PEG TOWARD THE PEG SUPPORT TO THE CORRESPONDING HOLES



STEP 10

MAKE SURE THAT THE PEG IS STABLE AND INSERT ALL THE REMAINING PEGS

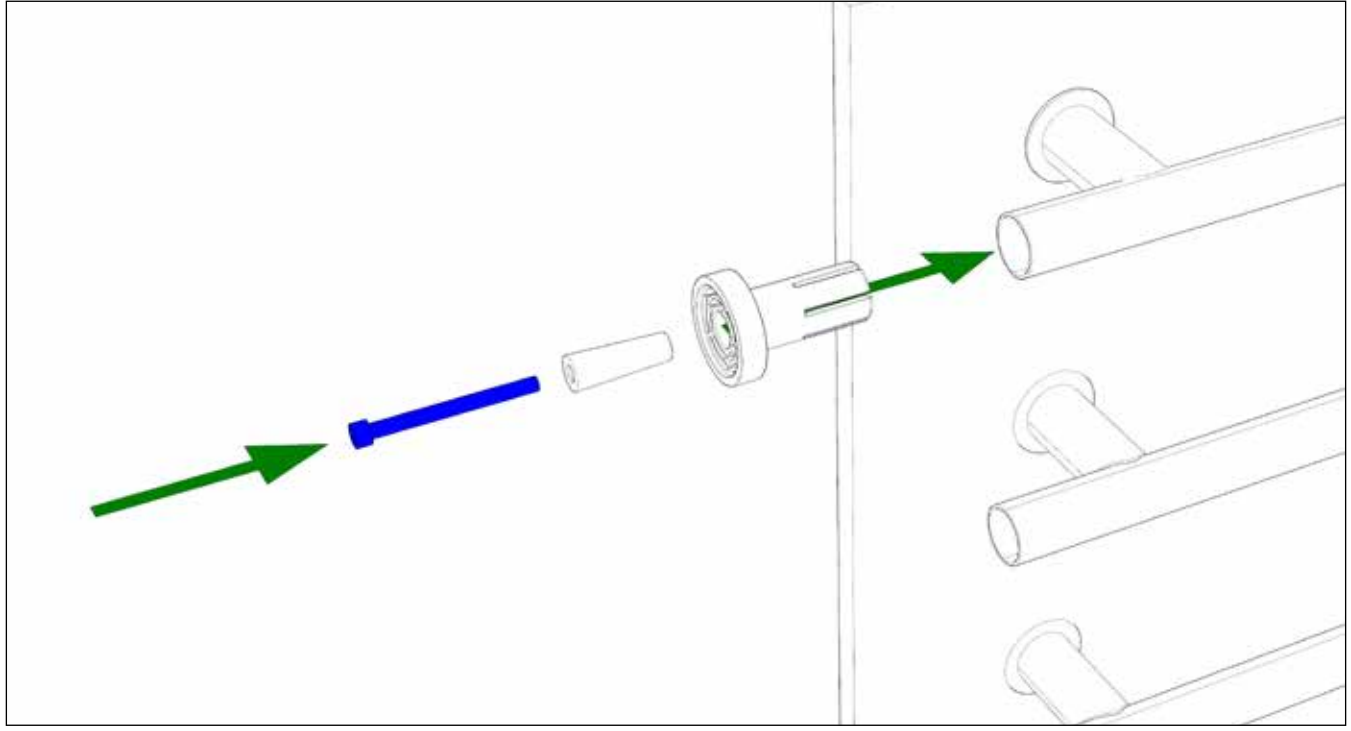


ASSEMBLY

INSTRUCTION

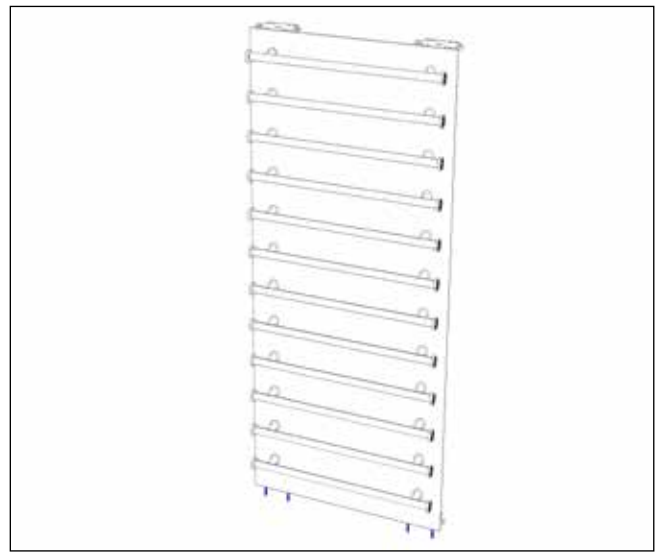
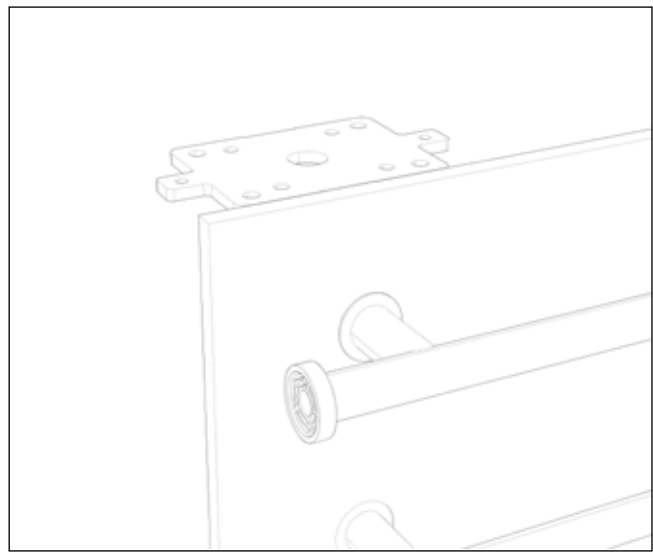
STEP 11

INSERT THE PLASTIC CAPS WITH ADAPTORS AND SCREWS SUPPLIED AND FIX THEM ON BOTH SIDES OF THE PEG. MAKE SURE THAT THE SCREWS MATCH THE HOLES ON THE PEG SUPPORTS.



STEP 12

INSERT ALL THE CAPS ON THE PEGS AND FIX THEM



7

CONTROL AND MAINTENANCE

CONTROL AND MAINTENANCE

INFINITY WALL MOUNTED 125

TIGHTENING
VERIFICATION

3
MONTHS

Lateral Bars
Wall Bar Pegs

TIGHTENING
VERIFICATION

6
MONTHS

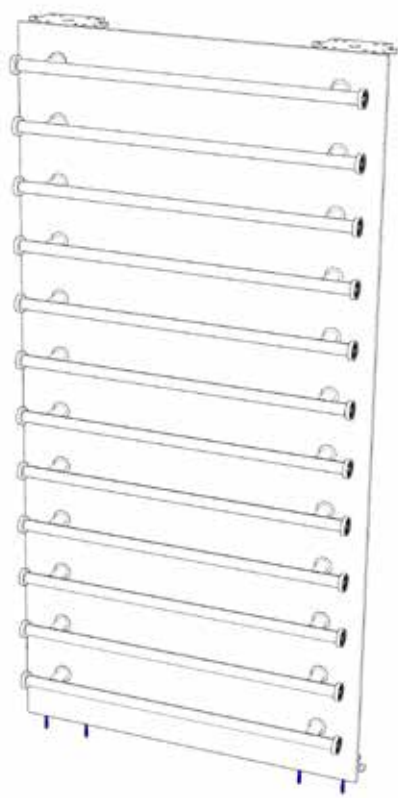
Wall Bar Supports
Accessories Hooks

TIGHTENING
VERIFICATION

STABILITY
CHECK

12
MONTHS

Columns
Wood
Caps



*The images are for illustrative purposes only

8

WARRANTY

WARRANTY LIMITS

- On structural parts: 2 years
- On mobile parts: 1 year
- On paintings and surface coating: 1 year (except for mechanical damages on surfaces)
- On wear parts: 6 months (e.g. straps, hand grips, hand caps, rubber and elastic parts, etc.).

TRANSPORTATION COSTS

- In case the equipment needs to be returned to ZIVA CUSTOMER SERVICE for repairing, ZIVA will cover transportation costs during the first 12 months. After this period, the owner will pay transportation costs.

WARRANTY EXCLUSIONS

- This warranty does not cover any possible damage or malfunction caused by:
 - 1) installation made by personnel that is not authorized by ZIVA;
 - 2) inappropriate maintenance;
 - 3) improper use or negligence;
 - 4) changes in the localization or modifications to the products setup without prior written authorization from ZIVA CUSTOMER SERVICE.

OPERATIONS MANUAL

- Before using the equipment, the owner has the obligation to read carefully the operations manual. As specified in the manual, please remember to carry out periodic maintenance in order to ensure that the product can work properly.

EXCLUSIVE WARRANTY

- These warranty limits replace any other warranties of any kind, no matter if they are explicit or implicit, including (but not limited to) the warranties related to the sale of these products. Under no circumstances ever will direct or indirect damages of any kind be considered as covered by this warranty, including any possible loss of profit or saving deriving from the use or the impossibility to use the products. Nobody is authorized to modify and/or extend the terms of this limited warranty.

SPARE PARTS AND SERVICE

- In case of parts that need to be replaced: identify them, note down the serial number and contact the ZIVA CUSTOMER SERVICE by email, providing all necessary information for assistance.

ZIVA

ZIVA HO

NO. 98 YAN PING ROAD, BLOCK C

SHANGHAI, 2000042 CHINA

Vat number: 913100003205104565

sales@zivalife.com - www.zivalife.com